


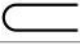


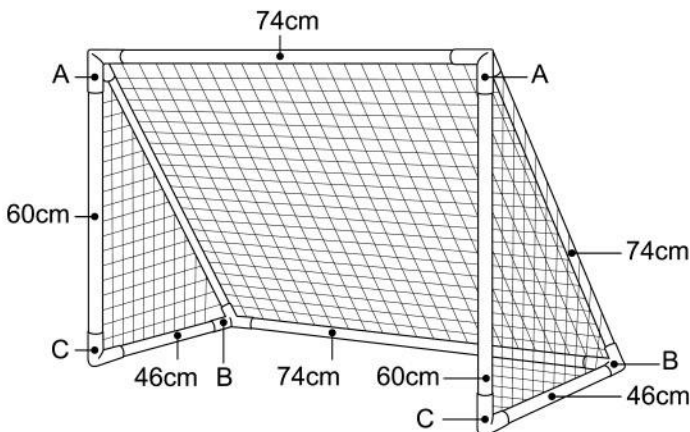
# 2 MINI SOCCER GOALS SET

## COMPONENT CHECKLIST AND ASSEMBLY INSTRUCTIONS

COMP No.	Q'TY	COMP No.	Q'TY
A:  B: 	4 PCS + 4 PCS	POLE: 31.5mm, L 74cm	8 PCS
C: 	C: 4PCS	POLE: 31.5mm, L 60cm	4 PCS
NET	2	POLE: 31.5mm, L 46cm	4 PCS
	4 + 4	2.5" SAFETY CONES	4 PCS
6" P.V.C. BALL	1 PCS	8" INFLATING PUMP+PIN	1 PCS

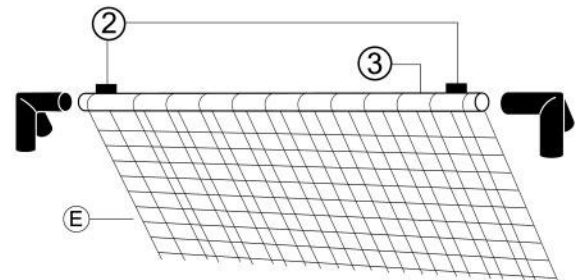
### Instruction for Goal Only

1. Assemble A, B, C



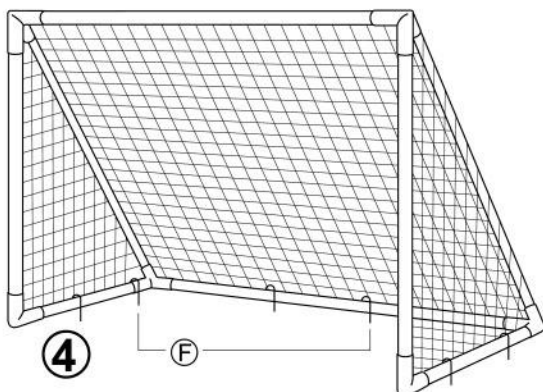
### Net on the Goal

2. Make sure the 2 red tags are at the top of the soccer goal.
3. Then take the net(E) and weave it through the top, sides, and bottom of the poles to secure the net.



### Finished

4. Use (F) metal stakes to secure the goal set.



### WARNING:

**CHOKING HAZARD** - Small parts.  
Not for children under 3 years.

**TO BE ASSEMBLED AND  
DISASSEMBLED BY AN ADULT.**